



OVER 75 YEARS  
OF PRECISION IN  
CLAMPING TECHNOLOGY



## A NEW DESIGN PROVIDING MORE POSSIBILITIES AT HIGH CLAMPING FORCES COLLET CHUCK TYPE KSKF

**New developments for a wide scope of applications in dialogue with the operators: Simon Nann GmbH & Co. KG keeps a finger on the pulse of production. We do know about the demands that shape high-quality clamping technology. Therefore, the newly designed universal collet chucks type KSKF can be used for external clamping with clamping heads and for internal clamping with segment clamping mandrels as well. The innovative**

**collet chucks feature short changeover times from external to internal clamping and high degrees of precision and rigidity.**

- For workpiece clamping of bar and chucking works
- Highest clamping forces and rigidity (types KSKF, KSKF-A)
- Axially fixed clamping head, less rigidity (type KSKF-AF)

- An intermediate flange is required for all collet chucks type KSKF. Flanges are available in various dimensions and for a variety of spindle noses
- All collet chucks type KSKF are designed to allow for a segment clamping mandrel to be bolted on via the bores at the face end without extensive modifications of the chuck
- Quick change capability of clamping heads

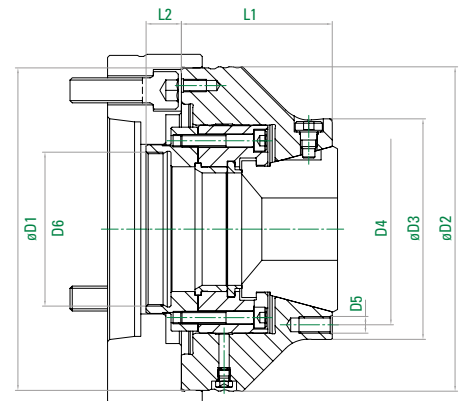
## COLLET CHUCK TYPE KSKF

Drawback collet chuck with through-hole for bar machining: the clamping head is pulled into the chuck during clamping and provides high clamping forces and high rigidity.

The collet chucks work very precisely and feature an easy set-up as well as high running accuracy.

### Collet chuck type KSKF, drawback collet chuck with through-hole

Art. no.	Clamping range	L1	L2	D1	D2	D3	D4	D5	D6	max. speed min <sup>-1</sup>	Collet
KSKF 32	4 - 32	70,5	17	137	120	84	70	M8	M54 x 1,5	8.000	771 E, 772 E
KSKF 42	4 - 42	69	17	137	138	104	90	M8	M54 x 1,5	7.000	781 E, 782 E
KSKF 52	4 - 52	72,5	17	155	156	106	92	M8	M74 x 1,5	6.500	783 E
KSKF 65	5 - 65	78	17	155	156	122	110	M8	M74 x 1,5	6.000	787 E, 788 E



Type KSKF

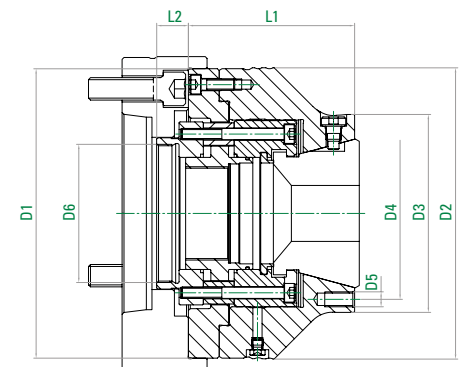
## COLLET CHUCK TYPE KSKF-A

Same as type KSKF, but with an additional stop for chuck parts which can be screwed on: the clamping head offers high clamping forces and high rigidity as well. Due to the

axial pulling effect, the workpiece is pulled against the stop and provides an additional workpiece support. Therefore, the type KSKF-A is perfect with short clamped workpieces.

### Collet chuck type KSKF-A, drawback collet chuck with rigid axial stop

Art. no.	Clamping range	L1	L2	D1	D2	D3	D4	D5	D6	max. speed min <sup>-1</sup>	Collet
KSKF 32-A	4 - 32	70,5	30,5	137	120	84	70	M8	M54 x 1,5	8.000	771 E, 772 E
KSKF 42-A	4 - 42	82,5	17	137	138	104	90	M8	M54 x 1,5	7.000	781 E, 782 E
KSKF 52-A	4 - 52	89	17	155	156	106	92	M8	M74 x 1,5	6.500	783 E
KSKF 65-A	5 - 65	94,5	17	155	156	122	110	M8	M74 x 1,5	6.000	787 E, 788 E



Type KSKF-A

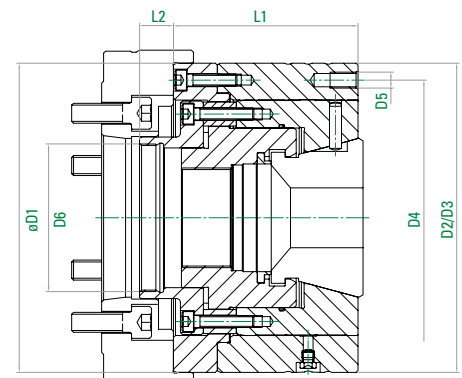
## COLLET CHUCK TYPE KSKF-AF

Type KSKF-AF is equipped with a fixed clamping head and can be used for through as well as for stop clamping. The pressure sleeve is pushed over the axially fixed clamping head.

Type KSKF-AF offers a lesser stiffness than that achieved with types KSKF and KSKF-A.

### Collet chuck type KSKF-AF, fixed clamping head

Art. no.	Spannereich	L1	L2	D1	D2	D3	D4	D5	D6	max. speed min <sup>-1</sup>	Collet
KSKF 32-AF	4 - 32	80,5	15,5	137	137	105	94	M6	M48 x 1,5	8.000	771 E, 772 E
KSKF 42-AF	4 - 42	81	16	137	137	137	120	M8	M54 x 1,5	7.000	781 E, 782 E
KSKF 52-AF	4 - 52	92,5	17	155	155	155	138	M8	M74 x 1,5	6.500	783 E
KSKF 65-AF	5 - 65	92,5	17	155	155	155	138	M8	M74 x 1,5	6.000	787 E, 788 E



Type KSKF-AF

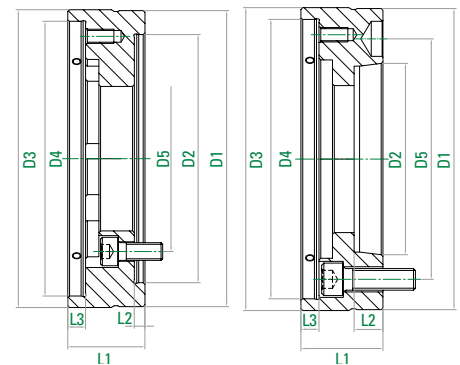


## INTERMEDIATE FLANGES

The intermediate flanges match the collet chuck types KSKF, KSKF-A und KSKF-AF. Explanation first column: Z-140 means cy-

lindrical mount with diameter 140; A-5 means spindle nose with short taper mount size 5 and so on.

Intermediate flanges										
Art. no.	L1	L2	L3	D1	D2	D3	D4	D5	Fastening screw	
KSKF 32/42 - Z-140	35,5	6	10	149	140	150	137	104,8	6 x M8	
KSKF 32/42 - A-5	44,5	15	10	149	82,563	150	137	104,8	6 x M10	
KSKF 32/42 - A-6	45,5	16	10	164	106,375	165	137	133,4	3 x M12	
KSKF 52/65 - Z-140	27,5	6	10	167	140	168	155	104,8	6 x M10	
KSKF 52/65 - Z-170	32,5	6	10	179	170	180	155	133,4	6 x M12	
KSKF 52/65 - A-5	46	15	10	167	82,563	168	155	104,8	6 x M10	
KSKF 52/65 - A-6	45,5	16	10	167	106,375	168	155	133,4	3 x M12	
KSKF 52/65 - A-8	52	18	10	209	139,719	210	155	171,4	3 x M16	



Intermediate flanges

## THROUGH-HARDENED CLAMPING HEADS WITH EXCHANGEABLE RUBBER INSERTS

Nann clamping heads are equipped with rubber inserts making changeover possible on-site: extensive vulcanization is no longer necessary. The collet is ready to be used after 15 minutes – an advantage that proves to be

decisive in practice. The clamping heads can be used for workpiece clamping, chuck and bar work and for all common axial pulling chucks as well.



### Contact

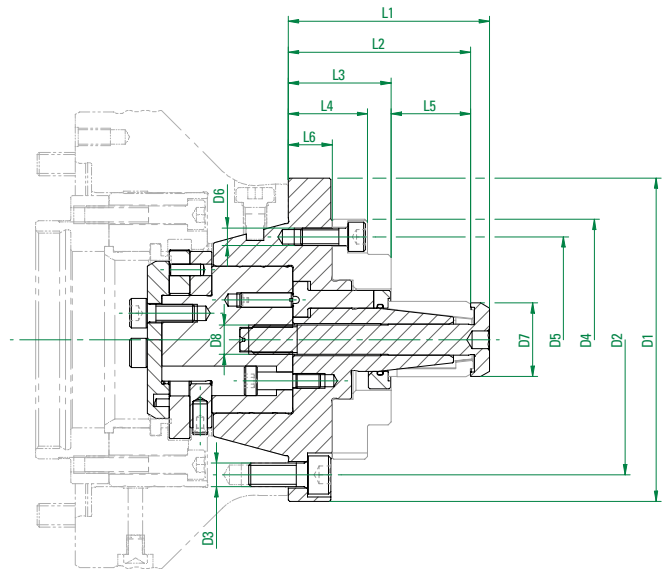
Our skilled team awaits you with a profound technical understanding. You will benefit from the close cooperation with our development and production departments. Your requests will be in the best hands – contact us by phone on +49(0)7429 392-0. We look forward to speaking with you.

## NEW PRODUCT DEVELOPMENT! INTERNAL CLAMPING FOR COLLET CHUCKS

The collet chuck types KSKF, KSKF-A and KSKF-AF make possible the change-over to internal clamping within very short time. A new set-up is no longer necessary as the collet chuck remains on the machine. A standard segment mandrel equipped with a fast changing mechanism is inserted – the hardened steel segments offer a high level of wear protection.

High clamping forces are achieved with these segment mandrels, and the vulcanized clamping sleeve covers a large clamping range.

The exchangeable insert for internal clamping can also be used on stationary collet chucks type MZ.



### Sleeve mandrel

Art. no.	SVZ 32-00	SVZ 42-00	SVZ 52-00	SVZ 65-00	SVZ 32-01	SVZ 42-01	SVZ 52-01	SVZ 65-01	SVZ 42-02	SVZ 52-02	SVZ 65-02	SVZ 65-03
suitable for	MZ 32 KSKF 32	MZ 42 KSKF 42	MZ 52 KSKF 52	MZ 65 KSKF 65	MZ 32 KSKF 32	MZ 42 KSKF 42	MZ 52 KSKF 52	MZ 65 KSKF 65	MZ 42 KSKF 42	MZ 52 KSKF 52	MZ 65 KSKF 65	MZ 65 KSKF 65
F max (kN)	7	7	7	7	7	10	10	10	10	10	15	15
D Min-Ø released from	19,7	19,7	19,7	19,7	25,7	25,7	25,7	25,7	35,7	35,7	35,7	50,7
D Min-Ø released up to	27,7	27,7	27,7	27,7	38,7	38,7	38,7	38,7	54,7	54,7	54,7	81,7
D1	88	110	110	128	88	110	110	128	110	110	128	128
D2	70	92	92	110	70	92	92	110	92	92	110	110
D3	M8	M8	M8	M8	M8	M8	M8	M8	M8	M8	M8	M8
D4	82	82	82	82	82	82	82	82	97	97	97	102
D5	70	70	70	70	70	70	70	70	84	84	84	89
D6	M6	M6	M6	M6	M6	M6	M6	M6	M6	M6	M6	M6
D7	19	19	19	19	25	25	25	25	35	35	35	48
D8	M6x0,75	M6x0,75	M6x0,75	M6x0,75	M10x1	M10x1	M10x1	M10x1	M14x1	M14x1	M14x1	M18x1
L1	62,2	62,2	62,2	62,2	67,2	67,2	67,2	67,2	95,2	95,2	95,2	105,2
L2	56,7	56,7	56,7	56,7	60,7	60,7	60,7	60,7	85	85	85	93,2
L3	35	35	35	35	35	35	35	35	42,5	42,5	42,5	44,5
L4	25	25	25	25	27	27	27	27	30,25	30,25	30,25	31,5
L5	21,7	21,7	21,7	21,7	25,7	25,7	25,7	25,7	42,5	42,5	42,5	48,7
L6	15	15	15	15	15	15	15	15	18	18	18	18,5